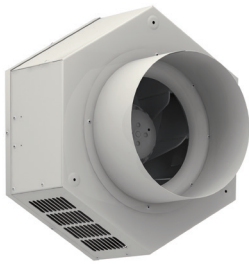


**Characteristics**

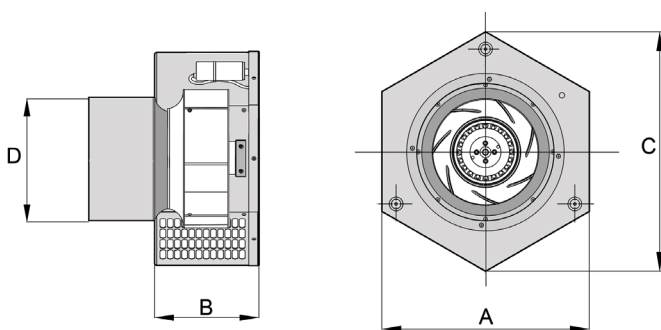


- Casing painted zinc colour RAL 7032.
- Appropriate to work outdoors.
- Backward centrifugal curved impellers of high performance equipped with external rotor motor protected through thermal contact.
- 0-100% variable speed.
- Very low noise level.
- Ideal for domestic kitchen extractions.

**Specifications**

Model	Tension V	Maximum Airflow m <sup>3</sup> /h	Power Fans kW	Current Fans A	Speed rpm	Maximum Pressure Pa
AWL 600	1x230V	680	0,079	0,45	-	470
AWL 900	1x230V	740	0,081	0,50	-	480

**Dimensions**



	A	B	C	D
AWL 600	300	150	346,4	150
AWL 900	300	150	346,4	200